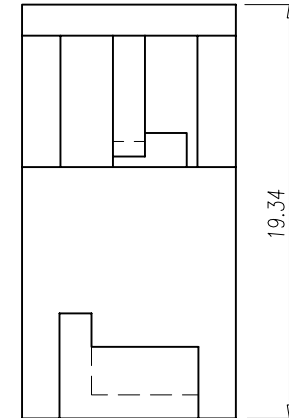
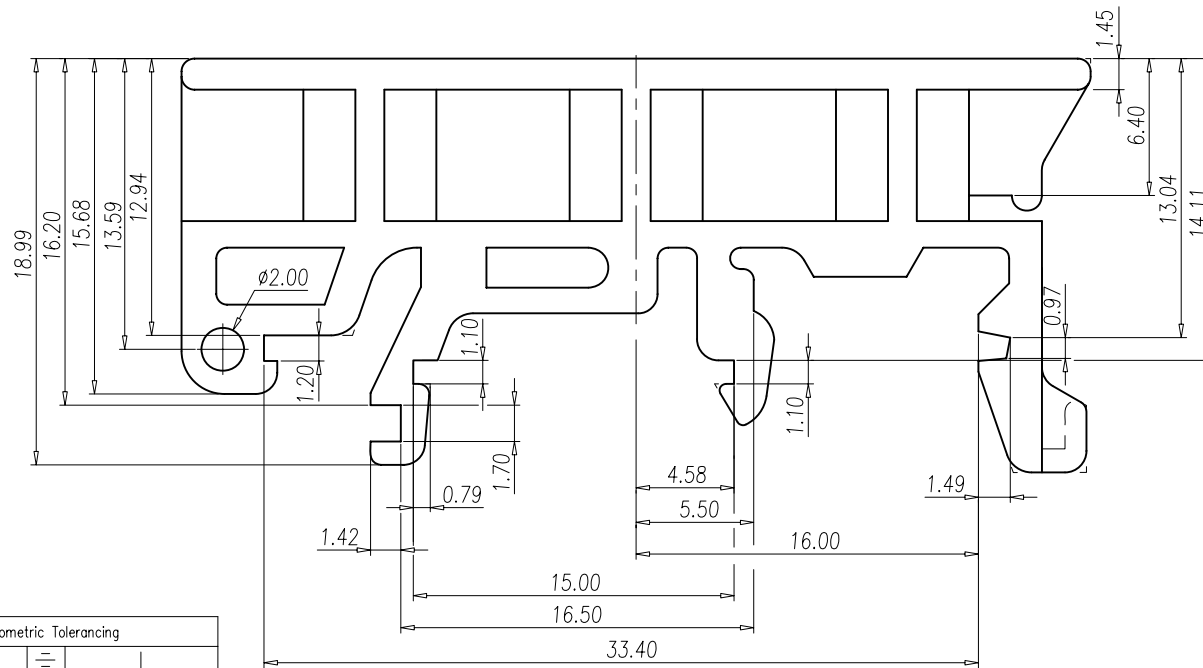
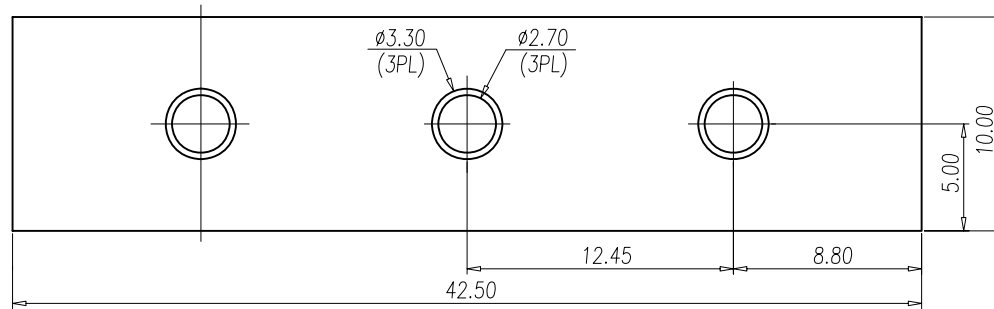


(14,4)

FILE\0040\KMRH



Normal Geometric Tolerancing			
—	//	≡	⊥
0 to 100	0.2	0.3	0 to 10
over 100 to 150	0.3		over 10
over 150	0.5		0.3
Total Pitch Tolerances		Normal dimension Tolerances	
0<math>\leq</math>30	±0.20	0~30	±0.25
30<math>\leq</math>53	±0.25	over 30~53	±0.30
53<math>\leq</math>70	±0.30	over 53~70	±0.35
70<math>\leq</math>90	±0.35	over 70~90	±0.44
90<math>\leq</math>115	±0.44	over 90~115	±0.55
115<math>\leq</math>150	±0.55	over 115~150	±0.70
150<math>\leq</math>200	±0.70	over 150~200	±0.85
200<math>\leq</math>250	±0.85	over 200~250	±1.00
250<math>\leq</math>320	±1.00	over 250~320	±1.20

1	HOUSING	PA66	UL94-V2 GREEN
ITEM	NAME OF PART	MATERIAL	NOTES

DWG.	Z&D	DATE	11.07.26	UNITS	MM	SHEET/OF	1 / 1
CHK.		DATE		SCALE	4:1 ( : )		
APP.		DATE					

	REV.	CONTENT	CHK.	DATE	 <b>DINKLE</b> ENTERPRISE CO.,LTD	NAME	KMRH
						DWG NO.	SP-03-KMRH0000